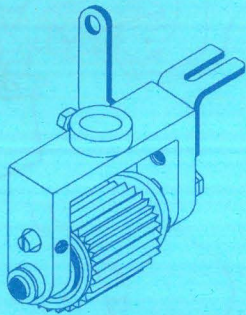
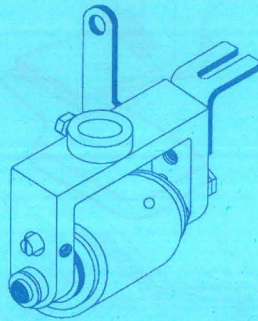


Rear Pullers & Rollers

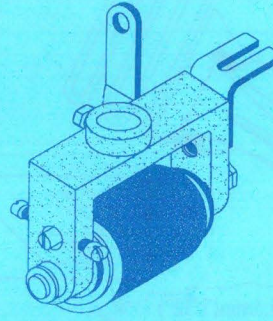
For Kansai., Sunshine, Emery, Kent Special etc.



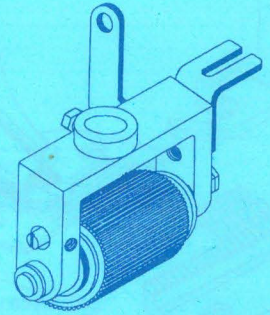
00-222 / 00-228
Rear Puller Gear
22 / 28 Teeth (Nylon) Assembly



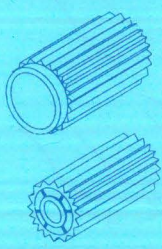
00-200
Rear Puller
(Smooth) Assembly



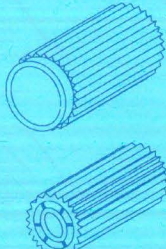
00-201
Rear Puller,
Rouletted Roller Assembly



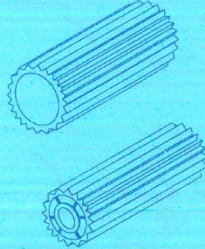
00-260
Rear Puller Gear
60 Teeth (Steel) Assembly



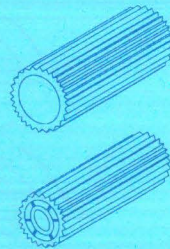
02-177 Upper Gear
02-207 Lower Gear



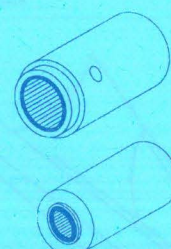
02-178 Upper Gear
02-208 Lower Gear



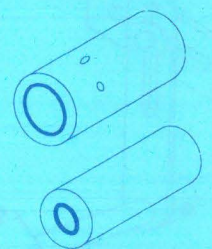
02-473 Upper Gear
02-478 Lower Gear



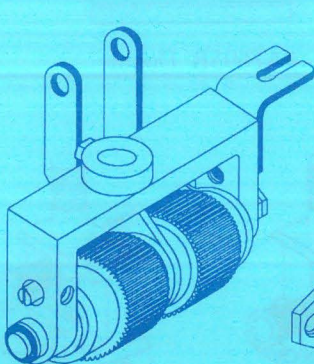
02-474 Upper Gear
02-479 Lower Gear



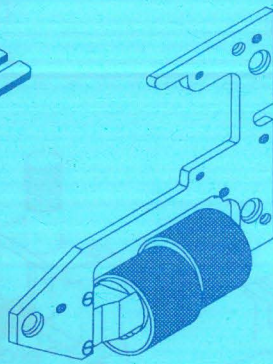
02-181 Upper Gear
02-197 Lower Gear



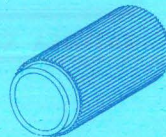
02-471 Upper Gear
02-476 Lower Gear



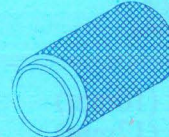
00-0610-0
Upper Double
Puller Assembly



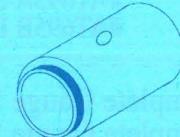
00-2050-0
Lower Double
Puller Assembly



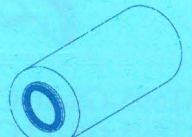
02-175
Inner Diameter :
31.4mm



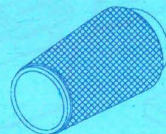
02-184
Inner Diameter:
31.4mm



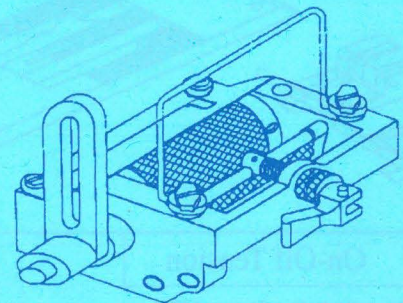
02-301
Inner Diameter:
31.4mm



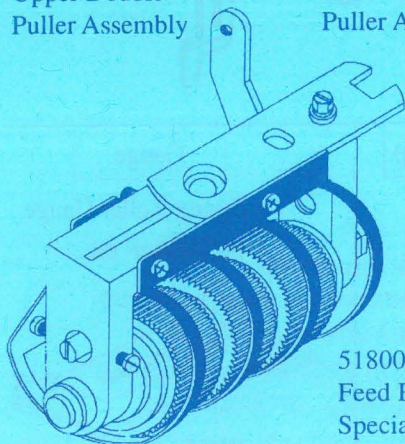
02-197



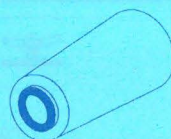
02-184cu
upper roller
Inner Diameter
42mm & 47mm



00-1400-0
00-1400-12
Front Elastic with
Connection Assembly



51800P
Feed Roller Union
Special 51800P



02-197cu
upper roller
Inner Diameter
35mm & 41mm